

Please contact your Rexnord Representative with any questions:

Rexnord FlatTop North America

1272 Dakota Drive
Grafton, WI, 53024
Phone: 262-376-4700

Rexnord FlatTop Europe

Phone: +31 174 445 112

Rexnord FlatTop Italy

Phone: +39 0522 639333

Rexnord FlatTop Germany

Phone: 0800 588 8083

Rexnord FlatTop France

Phone: 0805 540 444

Rexnord FlatTop India

Phone: +91 040 23078243

Rexnord FlatTop China

Phone: +86 21 52436100

Rexnord Product Upgrade Announcement

8500 Dynamic Nose-over Bar

Rexnord FlatTop continuously develops innovative new products for conveyors to meet the high performance needs of customer applications.

8500 Dynamic Nose-over Bar overview

We are replacing the 8500 machined Series Nose-over Bar with a molded version offering significant cost savings. The 8500 Dynamic Nose-over Bar works in short transfer distances conveying small products and packages.

Are the products compatible?

The 8500 molded version is a direct replacement to the machined version, offering the following product features:

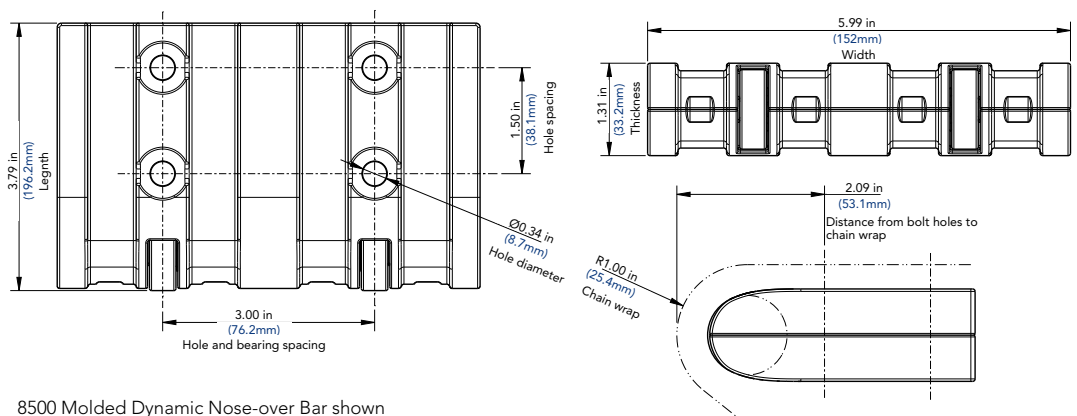
- Compact modular design
- 1-1/8-inch nose-over capability
- Reduced price over machined versions
- Standard 6-inch width or MTO (Made-to-Order) 3-inch width
- Optimized profile to reduce chain kick-up increasing product stability
- Used with 8503, 8505, and 8506 Series MatTop® Chains, excluding Positrack and Hold-down Tab options
- Contact Application Engineering for assistance at 1-262-376-4800



8500 Machined Dynamic Nose-over Bar



New 8500 Molded Dynamic Nose-over Bar



8500 Molded Dynamic Nose-over Bar shown