

Spherical Roller Bearings Units: Rexnord PT Select Series



Contents

Features and Benefits
Nomenclature
Engineering
Dimensions
Pillow Blocks
Flange Blocks

Page

192
193
194
198
201

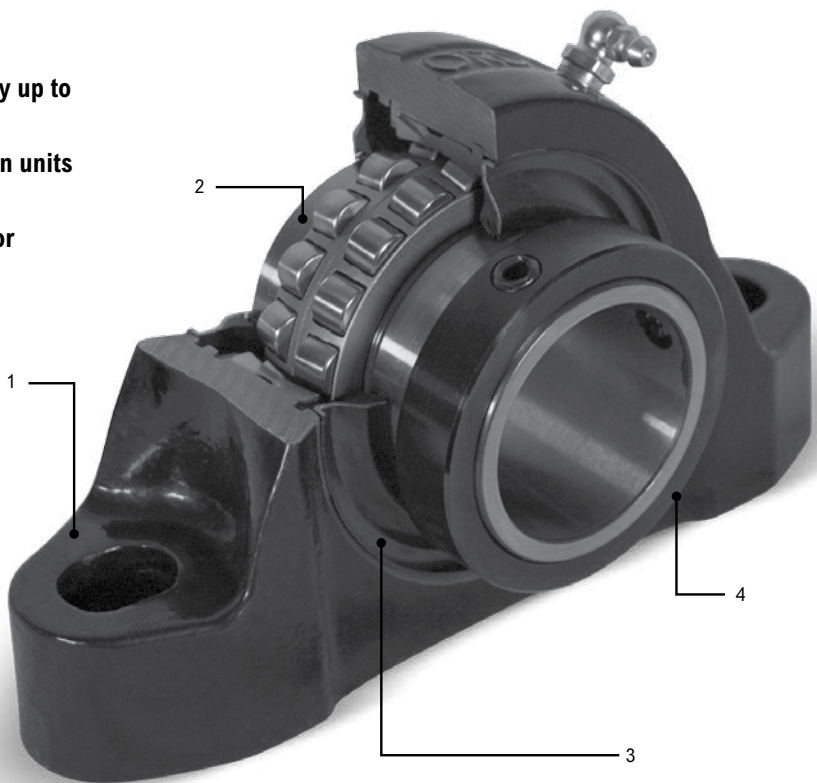
Industries Served

Aggregates
Air & Fluid Handling
Cement
Construction
Material Handling
Package Handling



Rexnord PT Select Series Spherical Roller Bearings

1. Rugged cast iron housing
2. Total misalignment capability up to 2 degrees
3. Expansion and non-expansion units available
4. 90-degree mounting collar for superior holding strength

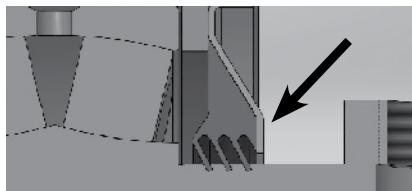


Additional Features and Benefits

- State-of-the-art design allows increased strength while optimizing material
- Industry-standard dimensions for interchangeability with leading brands
- Standard, off-the-shelf sizes for quick turnarounds needs
- Field installable/removable safety caps that are compatible with standard housings
- Rugged metal retainer for increased strength and durability
- Shaft ready and pre-lubricated with our standard grease for normal operation

Seal Types

Type T Triple Lip Seal

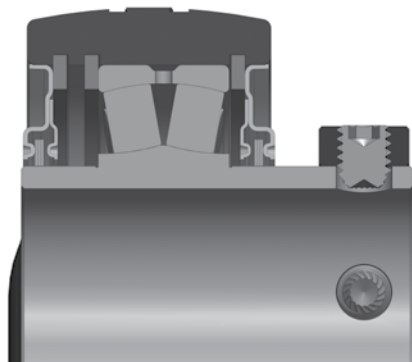


Three points of contact (shown above) provide superior ingress protection against contaminants.

Engineered bearing seals for increased product life

Designed for efficiency while maintaining the overall product strength, the bearing delivers the seal performance your environment requires.

- Standard triple lip and clearance seal provides maximum ingress protection against contaminants which are a leading cause of bearing failure (optional labyrinth seal available)
- Clearance seal reduces operating temperatures at higher speeds
- Features nitrile material with protective metal shield



Type C Clearance Seal

Also Available with These Housings



2-bolt Pillow Block

4-bolt Pillow Block

2-bolt Pillow Block — Type E

Flange Block

Flange Block — Type E

Piloted Flange

Nomenclature

Symbol	Description				
EFB	Type E Flanged Unit; 4-bolt square	-----	-----	-----	-----
EP2B	Type E 2-Bolt Pillow Block				
FB	Flanged Unit; 4-bolt square				
FC	Flanged Cartridge Unit; 4-bolt round				
P2B	2-Bolt Pillow Block	-----	-----	-----	-----
P4B	4-Bolt Pillow Block				
107	1-7/16"	-----	-----	-----	-----
111	1-11/16"				
115	1-15/16"				
203	2-3/16"				
207	2-7/16"				
208	2-1/2"				
211	2-11/16"				
215	2-15/16"				
307	3-7/16"				
308	3-1/2"				
315	3-15/16"				
407	4-7/16"				
T	Triple Lip Seal	-----	-----	-----	-----
C	Clearance Seal				
Blank	Fixed	-----	-----	-----	-----
E	Expansion				

Cap Kit Part Numbers

Size Code	Shaft Size	Open Cap	Closed Cap
4	1-7/16"	B1076D	B1086
5	1-11/16"	B1116D	B1126
6	1-15/16"	B1156D	B2006
7	2-3/16"	B2036D	B2046
8	2-7/16"	B2076D	B2086
8	2-1/2"	B2086D	
9	2-11/16"	B2116D	B3006
9	2-15/16"	B2156D	
10	3-7/16"	B3076D	B3086
10	3-1/2"	B3086D	
11	3-15/16"	B3156D	B4006
12	4-7/16"	B4076D	B4086

Caps sold separately and can be added to any housing style

Rexnord PT Select Series Spherical Roller Bearing Selection Guide

To select a bearing, determine the applied radial load, the applied thrust load, the desired Rating Life, and applicable operating conditions. The procedure shown here will aid in selecting a bearing to meet an L₁₀ design life. The formulas for calculating life expectancy should be used to determine the Rating Life L₁₀ for the bearing selected.

The selection procedures and rating formulas shown here are in agreement with the American Bearing Manufacturers Association (ABMA) standards and ANSI/

ABMA Standards STD 11-1990. Ratings are based on fatigue life. The Rating Life L₁₀ or fatigue life at 90% reliability is the usual basis for bearing selection. For radial load applications only, Table 3, can be used to select a bearing or to determine L₁₀ life expectancy.

To assure a satisfactory bearing application, fitting practice, mounting, lubrication, sealing, static rating, housing strength, operating conditions and maintenance must be considered.

Steps for Selection

Step 1

Determine an appropriate L₁₀ design life.

Type of service	Operating time, hours per year	Design life, years	L ₁₀ design life, hours
Light seasonal usage	500 to 750	3-5	3,000
Heavy seasonal usage	1,400 to 1,600	4-6	8,000
Industrial—8 hour shift	2,000	10	20,000
Industrial—16 hour shift	4,000	10	40,000
Industrial—continuous	8,700	10	80,000 to 100,000

Step 2

Determine a required $\left(\frac{C}{P}\right)$ from Table 1.

Step 3

Calculate the required C and select a roller bearing.

a For radial load only:

$$P = F_r$$

$$\text{required } C = \left(\frac{C}{P}\right) P \text{ using } \left(\frac{C}{P}\right) \text{ from Step 2}$$

Select a roller bearing from Table 2 with a basic load rating C equal to or greater than the required C.

Step 3 (continued)

b For combined radial and thrust loads:

Select a trial roller bearing of the desired shaft size from Table 2.

Calculate the ratio of thrust load F_a to the radial load F_r .

$$\frac{F_a}{F_r}$$

Calculate the equivalent radial load P

$$P = X F_r + Y F_a$$

If $\frac{F_a}{F_r}$ is equal to or less than e, then $P = X_1 F_r + Y_1 F_a$

If $\frac{F_a}{F_r}$ is greater than e, then $P = X_2 F_r + Y_2 F_a$

For values of e, X₁, Y₁, X₂, and Y₂, see Table 2.

Calculate the required C

$$\text{required } C = \left(\frac{C}{P}\right) P \text{ using } \left(\frac{C}{P}\right) \text{ from Step 2.}$$

Consult Table 2, basic load rating. If a smaller bearing meets, or nearly meets, the required C, its life expectancy can be calculated.

Note: If the load P is greater than .25C, consult Rexnord Bearing Division.

Selection

Symbols for formulas:

- C = basic load rating, pounds (or newtons)
- Co = static load rating, pounds (or newtons)
- e = a reference value
- Fa = thrust load, pounds (or newtons)
- Fr = radial load, pounds (or newtons)
- L10 = rating life, hours
- n = speed, revolutions per minute
- P = equivalent radial load, pounds (or newtons)
- X = radial factor
- Y = thrust factor

Table 1 • Relation of L₁₀ life and speed to $\left(\frac{C}{P}\right)$

Bearing Life Hours L ₁₀	Speed, n									
	50	100	200	300	400	500	600	700	800	
3000	1.93	2.38	2.93	3.31	3.61	3.86	4.07	4.27	4.44	
4000	2.11	2.59	3.19	3.61	3.93	4.20	4.44	4.65	4.84	
5000	2.25	2.77	3.42	3.86	4.20	4.50	4.75	4.97	5.18	
6000	2.38	2.93	3.61	4.07	4.44	4.75	5.02	5.25	5.47	
8000	2.59	3.19	3.93	4.44	4.84	5.18	5.47	5.73	5.96	
10000	2.77	3.42	4.20	4.75	5.18	5.54	5.85	6.12	6.37	
12000	2.93	3.61	4.44	5.02	5.47	5.85	6.18	6.47	6.73	
14000	3.07	3.78	4.65	5.25	5.73	6.12	6.47	6.77	7.05	
16000	3.19	3.93	4.84	5.47	5.96	6.37	6.73	7.05	7.34	
18000	3.31	4.07	5.02	5.66	6.18	6.60	6.97	7.30	7.60	
20000	3.42	4.20	5.18	5.85	6.37	6.81	7.20	7.54	7.85	
25000	3.65	4.50	5.54	6.25	6.81	7.29	7.70	8.06	8.39	
30000	3.86	4.75	5.85	6.60	7.20	7.70	8.13	8.51	8.86	
35000	4.04	4.97	6.12	6.92	7.54	8.06	8.51	8.92	9.28	
40000	4.20	5.18	6.37	7.20	7.85	8.39	8.86	9.28	9.66	
45000	4.36	5.36	6.60	7.46	8.13	8.69	9.18	9.61	10.00	
50000	4.50	5.54	6.81	7.70	8.39	8.97	9.48	9.92	10.30	
60000	4.75	5.85	7.20	8.13	8.86	9.48	10.00	10.50	10.90	
70000	4.97	6.12	7.54	8.51	9.28	9.92	10.50	11.00	11.40	
80000	5.18	6.37	7.85	8.86	9.66	10.30	10.90	11.40	11.90	
90000	5.36	6.60	8.13	9.18	10.00	10.70	11.30	11.80	12.30	
100000	5.54	6.81	8.39	9.48	10.30	11.00	11.70	12.20	12.70	
150000	6.25	7.70	9.48	10.70	11.70	12.50	13.20	13.80	14.40	
200000	6.81	8.39	10.30	11.70	12.70	13.60	14.40	15.00	15.70	

	Speed, n									
	900	1000	1200	1500	1800	2400	3000	3600	6000	
3000	4.60	4.75	5.02	5.36	5.66	6.18	6.60	6.97	8.13	
4000	5.02	5.18	5.47	5.85	6.18	6.73	7.20	7.60	8.86	
5000	5.36	5.54	5.85	6.25	6.60	7.20	7.70	8.13	9.48	
6000	5.66	5.85	6.18	6.60	6.97	7.60	8.13	8.59	10.00	
8000	6.18	6.37	6.73	7.20	7.60	8.29	8.86	9.36	10.90	
10000	6.60	6.81	7.20	7.70	8.13	8.86	9.48	10.00	11.70	
12000	6.97	7.20	7.60	8.13	8.59	9.36	10.00	10.60	12.30	
14000	7.30	7.54	7.96	8.51	8.99	9.80	10.50	11.10	12.90	
16000	7.60	7.85	8.29	8.86	9.36	10.20	10.90	11.50	13.40	
18000	7.88	8.13	8.59	9.18	9.70	10.60	11.30	11.90	13.90	
20000	8.13	8.39	8.86	9.48	10.00	10.90	11.70	12.30	14.40	
25000	8.69	8.97	9.48	10.10	10.70	11.70	12.50	13.20	15.40	
30000	9.18	9.48	10.00	10.70	11.30	12.30	13.20	13.90	16.20	
35000	9.61	9.92	10.50	11.20	11.80	12.90	13.80	14.60	17.00	
40000	10.00	10.30	10.90	11.70	12.30	13.40	14.40	15.20	17.70	
45000	10.40	10.70	11.30	12.10	12.80	13.90	14.90	15.70	18.30	
50000	10.70	11.00	11.70	12.50	13.20	14.40	15.40	16.20	18.90	
60000	11.30	11.70	12.30	13.20	13.90	15.20	16.20	17.10	20.00	
70000	11.80	12.20	12.90	13.80	14.60	15.90	17.00	17.90	20.90	
80000	12.30	12.70	13.40	14.40	15.20	16.50	17.70	18.70	21.80	
90000	12.80	13.20	13.90	14.90	15.70	17.10	18.30	19.40	22.60	
100000	13.20	13.60	14.40	15.40	16.20	17.70	18.90	20.00	23.30	
150000	14.90	15.40	16.20	17.30	18.30	20.00	21.40	22.60	26.30	
200000	16.20	16.70	17.70	18.90	20.00	21.80	23.30	24.60	28.70	

Basic Formula

$$\left(\frac{C}{P}\right) = \left(\frac{L_{10} \times n \times 60}{1,000,000}\right)^{3/10}$$

$$L_{10} = \frac{\left(\frac{C}{P}\right)^{10/3} \times 1,000,000}{n \times 60}$$

Life Expectancy

To calculate the Rating Life L₁₀ of any selected or trial bearing:

Step 1

Determine the equivalent radial load P.

a For radial load only:

$$P = F_r$$

b For combined radial and thrust load:

$$P = X F_r + Y F_a$$

if $\frac{F_a}{F_r}$ is equal to or less than e, then

$$P = X_1 F_r + Y_1 F_a$$

if $\frac{F_a}{F_r}$ is greater than e, then

$$P = X_2 F_r + Y_2 F_a$$

For values of e, X₁, Y₁, X₂, and Y₂, consult the appropriate bearing rating Table 2.

Step 2

Calculate the ratio of the basic load rating C to the equivalent radial load.

$$\left(\frac{C}{P}\right)$$

Step 3

Approximate the bearing life from Table 1.

Life Adjustment

The Rating Life, L₁₀, may be modified for some applications in accordance with the formula

$$L_n = a_1 a_2 a_3 L_{10}$$

where L_n = Adjusted life for (100-n) % reliability,

a₁ = Life adjustment factor for reliability

a₂ = Life adjustment factor

for material and processing

a₃ = Life adjustment factor for operating conditions.

For most normal applications, all factors will be taken as 1, and the Rating Life used as the selection basis or life estimate. In addition, as long as standard catalog bearings are used, a₂ will be normally set equal to one.

The factor a₃ covers such things as lubrication, misalignment, and temperature. Some conditions that could yield a₃ significantly different than unity include speeds less than 20000 DN or greater than 200000 DN, temperatures below -40°F (-40°C) or above 275°F (135°C). For other possible conditions, as well as additional information on life adjustment factors, consult Rexnord Bearing Division.

Table 2 • Load Ratings and Speed Limits

Size Code	C Dynamic Load Rating		Co Static Load Rating		Approximate speed limit RPM*		e	Fa/Fr ≤ e		Fa/Fr > e	
	pounds	newtons	pounds	newtons	Clearance Seal	Triple Lip Seal		X1	Y1	X2	Y2
4	20,000	88,964	21,360	95,014	4,040	3,490	0.27	1.00	2.49	0.67	3.71
5	20,500	91,189	23,240	103,377	3,820	3,300	0.27	1.00	2.51	0.67	3.74
6	21,000	93,413	24,710	109,916	3,540	3,060	0.25	1.00	2.69	0.67	4.00
7	26,200	116,543	30,590	136,071	3,150	2,720	0.22	1.00	3.05	0.67	4.54
8	38,400	170,812	43,870	195,143	2,670	2,310	0.26	1.00	2.62	0.67	3.90
9	41,000	182,377	48,420	215,383	2,420	2,090	0.23	1.00	2.89	0.67	4.30
10	64,000	284,686	77,880	346,428	1,980	1,710	0.24	1.00	2.76	0.67	4.11
11	80,000	355,858	98,600	438,595	1,760	1,520	0.25	1.00	2.72	0.67	4.05
12	99,200	441,264	129,440	575,778	1,600	1,380	0.26	1.00	2.61	0.67	3.88

If the load P is greater than 25% of C, consult Rexnord Bearing Division.

For setscrew mounted bearings, reduce C Dynamic Load rating by 15%.

For vertical shaft application, consult Rexnord Bearing Division.

*Based on grease lubrication and moderate load.

Table 3 • Radial Load Ratings in Pounds at Various RPM for Appropriate L₁₀ Life Hours

Size Code		50	100	200	300	400	500	600	700	800	900	1000	1200	1500	1800	2000	2500	3000	3500
4	8000	*	*	*	4503	4131	3863	3658	3492	3355	3239	3138	2971	2779	2631	2549	2384	2257	2155
	20000	*	4756	3863	3421	3138	2935	2779	2653	2549	2460	2384	2257	2111	1998	1936	1811	1715	1637
	40000	4756	3863	3138	2779	2549	2384	2257	2155	2070	1998	1936	1833	1715	1623	1573	1471	1393	1330
	100000	3613	2935	2384	2111	1936	1811	1715	1637	1573	1518	1471	1393	1302	1233	1195	1117	1058	1010
5	8000	*	*	*	4616	4234	3960	3749	3580	3439	3320	3216	3045	2848	2696	2613	2443	2313	
	20000	*	4875	3960	3506	3216	3008	2848	2719	2613	2522	2443	2313	2164	2048	1985	1856	1757	
	40000	4875	3960	3216	2848	2613	2443	2313	2209	2122	2048	1985	1879	1757	1664	1612	1508	1427	
	100000	3704	3008	2443	2164	1985	1856	1757	1678	1612	1556	1508	1427	1335	1264	1225	1145	1084	
6	8000	*	*	*	4728	4337	4057	3841	3667	3523	3401	3295	3120	2918	2762	2676	2503	2370	
	20000	*	4994	4057	3592	3295	3082	2918	2786	2676	2583	2503	2370	2216	2098	2033	1901	1800	
	40000	4994	4057	3295	2918	2676	2503	2370	2263	2174	2098	2033	1925	1800	1704	1651	1544	1462	
	100000	3794	3082	2503	2216	2033	1901	1800	1719	1651	1594	1544	1462	1368	1295	1254	1173	1111	
7	8000	*	*	*	5899	5411	5061	4792	4575	4395	4243	4111	3892	3640	3446	3339	3123		
	20000	*	6231	5061	4481	4111	3845	3640	3476	3339	3223	3123	2957	2765	2618	2537	2372		
	40000	6231	5061	4111	3640	3339	3123	2957	2823	2712	2618	2537	2402	2246	2126	2060	1927		
	100000	4733	3845	3123	2765	2537	2372	2246	2145	2060	1989	1927	1824	1706	1615	1565	1464		
8	8000	*	*	*	8646	7931	7418	7023	6705	6442	6219	6025	5704	5335	5051	4894			
	20000	*	9132	7418	6568	6025	5635	5335	5094	4894	4724	4577	4333	4053	3837	3718			
	40000	9132	7418	6025	5335	4894	4577	4333	4138	3975	3837	3718	3520	3292	3117	3020			
	100000	6937	5635	4577	4053	3718	3477	3292	3143	3020	2915	2824	2674	2501	2368	2294			
9	8000	*	*	*	9232	8468	7920	7498	7159	6878	6640	6433	6091	5696	5393	5225			
	20000	*	9751	7920	7013	6433	6016	5696	5439	5225	5044	4887	4627	4327	4097	3969			
	40000	9751	7920	6433	5696	5225	4887	4627	4418	4244	4097	3969	3758	3515	3328	3224			
	100000	7407	6016	4887	4327	3969	3712	3515	3356	3224	3112	3015	2855	2670	2528	2449			
10	8000	*	*	*	14410	13219	12363	11705	11176	10737	10364	10042	9507	8892					
	20000	*	15220	12363	10947	10042	9391	8892	8490	8156	7873	7628	7222	6755					
	40000	15220	12363	10042	8892	8156	7628	7222	6896	6625	6395	6196	5866	5486					
	100000	11562	9391	7628	6755	6196	5795	5486	5238	5033	4858	4707	4456	4168					
11	8000	*	*	*	18013	16523	15453	14631	13970	13421	12955	12552	11884						
	20000	*	19025	15453	13684	12552	11739	11115	10612	10196	9842	9535	9028						
	40000	19025	15453	12552	11115	10196	9535	9028	8620	8281	7994	7745	7333						
	100000	14453	11739	9535	8443	7745	7244	6858	6548	6291	6073	5884	5570						
12	8000	*	*	*	22336	20489	19162	18142	17322	16642	16064	15565	14736						
	20000	*	23592	19162	16968	15565	14557	13782	13159	12642	12204	11824	11194						
	40000	23592	19162	15565	13782	12642	11824	11194	10689	10269	9912	9604	9093						
	100000	17922	14557	11824	10470	9604	8982	8504	8120	7801	7530	7296	6907						

If the load P is greater than 25% of the C, consult Rexnord Bearing Division.

For setscrew mounted bearings, reduce C Dynamic Load rating by 15%.

For vertical shaft application, consult Rexnord Bearing Division.

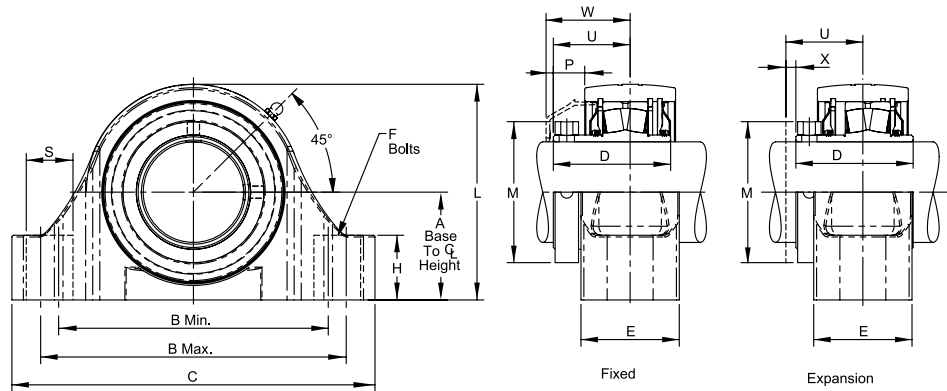
*Based on grease lubrication and moderate load.

P2B



Product Features

- Corrosion-resistant powder coating
- Cast iron housing
- Misalignment capabilities - total of 2°
- Triple lip seal standard; optional clearance seal
- Factory lubricated
- 90° grease fitting standard; straight fitting provided in box



Bearing Dimensions

Size Code	Shaft Diameter	Fixed	Expansion	A Base to Centerline Height	B Distance Between Bolt Holes		C	D	E	F Bolts	H	L	M	P	S	U	W	X	Approx. Weight
		Part Number	Part Number		Min	Max													
4	1-7/16	P2B-107-T	P2B-107-TE	1.88	4.81	5.20	6.62	2.71	1.95	1/2	1.13	3.85	2.30	0.98	0.82	1.83	2.10	0.22	5.00
5	1-11/16	P2B-111-T	P2B-111-TE	2.13	5.31	5.70	7.12	2.76	2.06	1/2	1.25	4.27	2.58	0.91	0.82	1.84	2.11	0.23	6.20
6	1-15/16	P2B-115-T	P2B-115-TE	2.25	6.06	6.44	7.99	2.84	2.13	5/8	1.31	4.49	2.88	1.07	0.94	1.95	2.22	0.26	7.18
7	2-3/16	P2B-203-T	P2B-203-TE	2.50	6.56	6.94	8.49	2.99	2.63	5/8	1.50	5.00	3.25	0.95	0.94	2.06	2.33	0.26	10.11
8	2-7/16	P2B-207-T	P2B-207-TE	2.75	6.94	7.31	8.86	3.55	2.81	5/8	1.63	5.59	3.55	1.23	0.94	2.42	2.69	0.34	13.94
	2-1/2	P2B-208-T	P2B-208-TE																
9	2-11/16	P2B-211-T	P2B-211-TE	3.25	7.94	8.31	10.29	3.65	3.08	3/4	1.88	6.32	4.04	1.09	1.06	2.48	2.75	0.35	18.70
	2-15/16	P2B-215-T	P2B-215-TE																
10	3-7/16	P2B-307-T	P2B-307-TE	3.75	9.38	10.63	12.63	4.12	3.42	7/8	2.25	7.50	4.90	1.13	1.63	2.71	2.98	0.34	29.03
	3-1/2	P2B-308-T	P2B-308-TE																
11	3-15/16	P2B-315-T	P2B-315-TE	4.25	10.62	12.88	15.11	4.64	3.94	1	2.44	8.38	5.63	1.46	2.26	3.05	3.35	0.34	44.29

Additional Notes

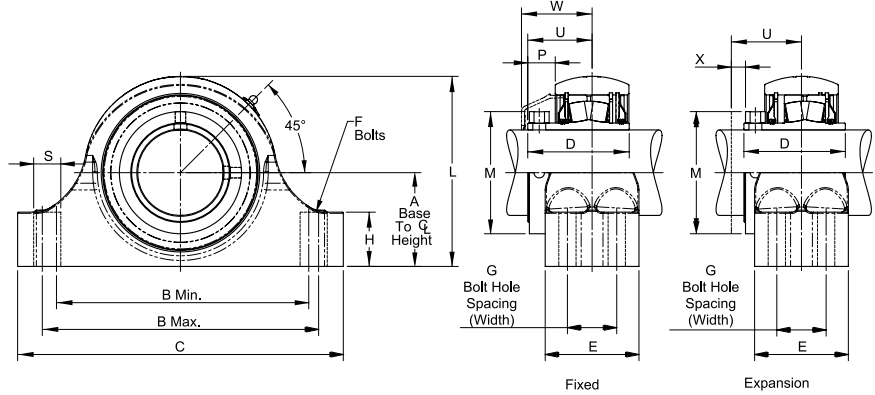
- Please call 1-866-REXNORD for availability
- Lubrication fitting tap size, 1/8" PT
- Bore size = nominal shaft size +.001 in/-.000 in (**+0.03 mm/-0.00 mm**)
- Base to centerline tolerance, +/- .005"
- Open and Closed End Caps available on all shaft sizes
- For Selection Guide, Load Ratings and Speed Limits see Rexnord PT Select Series Engineering section on pages 194 - 197.
- Note: Dimensions subject to change. Certified dimensions of ordered material furnished on request.

P4B



Product Features

- Corrosion-resistant powder coating
- Cast iron housing
- Misalignment capabilities - total of 2°
- Triple lip seal standard; optional clearance seal
- Factory lubricated
- 90° grease fitting standard; straight fitting provided in box



Bearing Dimensions

Size Code	Shaft Diameter	Fixed Part Number	Expansion Part Number	A Base to Centerline Height	B Distance Between Bolt Holes		C	D	E	F Bolts	G Bolt Hole Spacing (Width)	H	L	M	P	S	U	W	X	Approx. Weight
					Min	Max														
6	1-15/16	P4B-115-T	P4B-115-TE	2.25	6.06	6.44	7.70	2.84	3.00	1/2	1.59	1.31	4.50	2.88	1.05	0.81	1.95	2.22	0.26	8.61
7	2-3/16	P4B-203-T	P4B-203-TE	2.50	6.56	6.94	8.36	2.99	3.25	1/2	1.69	1.50	5.00	3.25	0.95	0.81	2.06	2.33	0.26	12.24
8	2-7/16	P4B-207-T	P4B-207-TE	2.75	6.94	7.31	8.74	3.55	3.38	1/2	1.75	1.63	5.59	3.55	1.12	0.81	2.42	2.69	0.34	15.25
	2-1/2	P4B-208-T	P4B-208-TE																	
9	2-11/16	P4B-211-T	P4B-211-TE	3.25	7.94	8.31	9.86	3.65	3.75	5/8	1.88	1.88	6.44	4.04	1.09	0.94	2.48	2.75	0.35	21.83
	2-15/16	P4B-215-T	P4B-215-TE																	
10	3-7/16	P4B-307-T	P4B-307-TE	3.75	9.38	10.62	12.40	4.12	4.50	3/4	2.00	2.25	7.56	4.90	1.13	1.50	2.71	2.98	0.34	35.70
	3-1/2	P4B-308-T	P4B-308-TE																	
11	3-15/16	P4B-315-T	P4B-315-TE	4.25	12.13	12.87	14.75	4.64	4.50	3/4	2.25	2.44	8.44	5.63	1.08	1.25	3.05	3.35	0.34	50.41
12	4-7/16	P4B-407-T	P4B-407-TE	4.75	13.00	14.00	16.50	5.14	4.75	3/4	2.50	2.75	9.63	6.19	1.39	1.38	3.26	3.56	0.34	67.83

Additional Notes

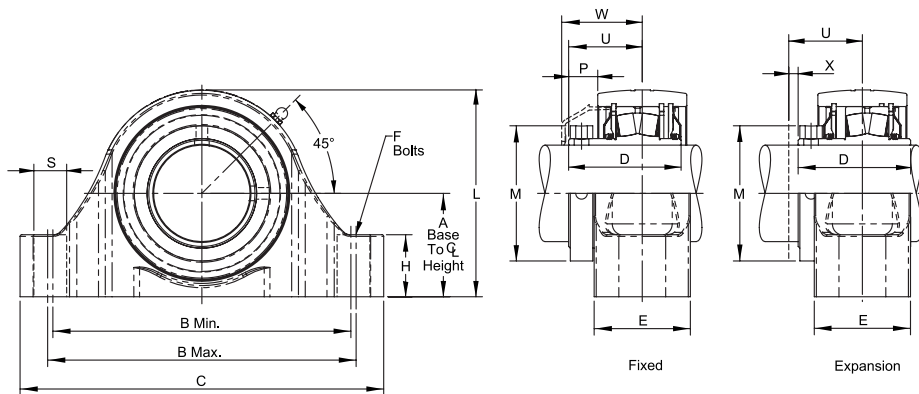
- Please call 1-866-REXNORD for availability
- Lubrication fitting tap size, 1/8" PT
- Bore size = nominal shaft size +.001 in/-.000 in (*+0.03 mm/-0.00 mm*)
- Base to centerline tolerance, +/- .005"
- Open and Closed End Caps available on all shaft sizes
- For Selection Guide, Load Ratings and Speed Limits see Rexnord PT Select Series Engineering section on pages 194 - 197.
- Note: Dimensions subject to change. Certified dimensions of ordered material furnished on request.

EP2B



Product Features

- Type E Interchange
- Corrosion-resistant powder coating
- Cast iron housing
- Misalignment capabilities - total of 2°
- Triple lip seal standard; optional clearance seal
- Factory lubricated
- 90° grease fitting standard; straight fitting provided in box



Bearing Dimensions

Size Code	Shaft Diameter	Fixed Part Number	Expansion Part Number	A Base to Centerline Height	B Distance Between Bolt Holes		C	D	E	F Bolts	H	L	M	P	S	U	W	X	Approx. Weight
					Min	Max													
4	1-7/16	EP2B-107-T	EP2B-107-TE	1.88	5.63	5.88	7.30	2.71	1.95	1/2	1.13	3.85	2.30	0.99	0.75	1.83	2.10	0.22	4.99
5	1-11/16	EP2B-111-T	EP2B-111-TE	2.13	6.13	6.38	7.80	2.76	2.06	1/2	1.25	4.25	2.58	0.91	0.75	1.84	2.11	0.23	6.37
6	1-15/16	EP2B-115-T	EP2B-115-TE	2.25	6.88	7.12	8.67	2.84	2.13	5/8	1.31	4.50	2.88	1.07	0.87	1.95	2.22	0.26	7.25
7	2-3/16	EP2B-203-T	EP2B-203-TE	2.50	7.64	7.88	9.61	2.99	2.56	5/8	1.50	4.99	3.25	0.99	0.88	2.06	2.33	0.26	10.29
8	2-7/16	EP2B-207-T	EP2B-207-TE	2.75	8.38	8.62	10.17	3.55	2.87	5/8	1.63	5.69	3.55	1.30	0.87	2.42	2.70	0.34	14.12
	2-1/2	EP2B-208-T	EP2B-208-TE																
9	2-11/16	EP2B-211-T	EP2B-211-TE	3.13	9.31	9.69	11.67	3.65	2.69	3/4	1.88	6.26	4.04	1.13	1.07	2.48	2.75	0.35	20.40
	2-15/16	EP2B-215-T	EP2B-215-TE																
10	3-7/16	EP2B-307-T	EP2B-307-TE	3.75	10.81	11.19	13.19	4.12	3.49	7/8	2.25	7.50	4.90	1.10	1.19	2.71	2.92	0.34	29.64
	3-1/2	EP2B-308-T	EP2B-308-TE																

Additional Notes

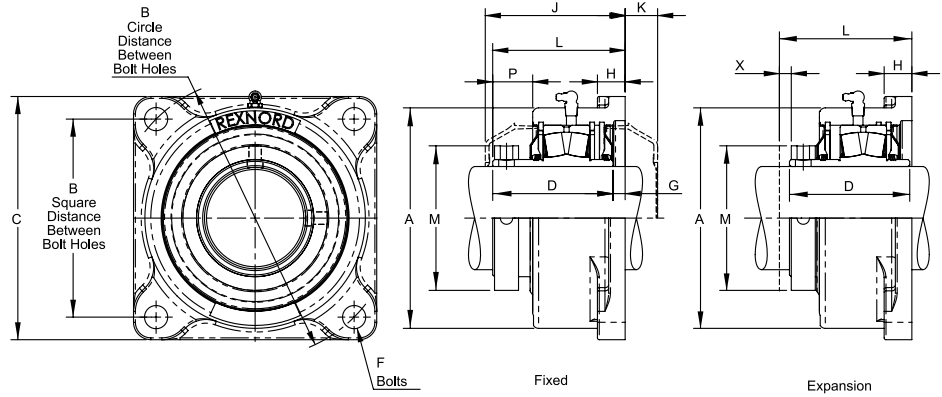
- Please call 1-866-REXNORD for availability
- Lubrication fitting tap size, 1/8" PT
- Bore size = nominal shaft size +.001 in/-.000 in (**+0.03 mm/-0.00 mm**)
- Base to centerline tolerance, +/- .005"
- Open and Closed End Caps available on all shaft sizes
- For Selection Guide, Load Ratings and Speed Limits see Rexnord PT Select Series Engineering section on pages 194 - 197.
- Note: Dimensions subject to change. Certified dimensions of ordered material furnished on request.

FB



Product Features

- Corrosion-resistant powder coating
- Cast iron housing
- Misalignment capabilities - total of 2°
- Triple lip seal standard; optional clearance seal
- Factory lubricated
- 90° grease fitting standard; straight fitting provided in box



Bearing Dimensions

Size Code	Shaft Diameter	Fixed Part Number	Expansion Part Number	A	B Distance Between Bolt Holes		C	D	F Bolts	G	H	J	K	L Mounting Surface to Collar Face	M	P	X	Approx. Weight
					Square	Circle												
					4	1-7/16												
5	1-11/16	FB-111-T	FB-111-TE	4.00	3.89	5.50	5.13	2.76	1/2	0.25	0.53	3.28	0.93	3.01	2.58	1.00	0.22	5.66
6	1-15/16	FB-115-T	FB-115-TE	4.25	4.07	5.75	5.31	2.84	1/2	0.31	0.59	3.42	1.03	3.15	2.88	1.09	0.22	6.32
7	2-3/16	FB-203-T	FB-203-TE	4.60	4.51	6.38	5.89	2.99	5/8	0.28	0.56	3.55	1.12	3.27	3.25	1.15	0.26	7.64
8	2-7/16	FB-207-T	FB-207-TE	5.63	4.77	6.75	6.13	3.55	5/8	0.39	0.64	4.21	1.17	3.94	3.55	1.29	0.34	11.74
	2-1/2	FB-208-T	FB-208-TE															
9	2-11/16	FB-211-T	FB-211-TE	6.10	5.57	7.88	7.19	3.65	3/4	0.36	0.75	4.28	1.21	4.01	4.04	1.33	0.34	16.40
	2-15/16	FB-215-T	FB-215-TE															
10	3-7/16	FB-307-T	FB-307-TE	7.48	6.72	9.50	8.25	4.12	3/4	0.41	0.94	4.81	1.17	4.54	4.90	1.40	0.34	26.21
	3-1/2	FB-308-T	FB-308-TE															
11	3-15/16	FB-315-T	FB-315-TE	8.22	7.60	10.75	9.25	4.64	7/8	0.38	1.06	5.32	1.38	5.02	5.63	1.61	0.34	35.08

Additional Notes

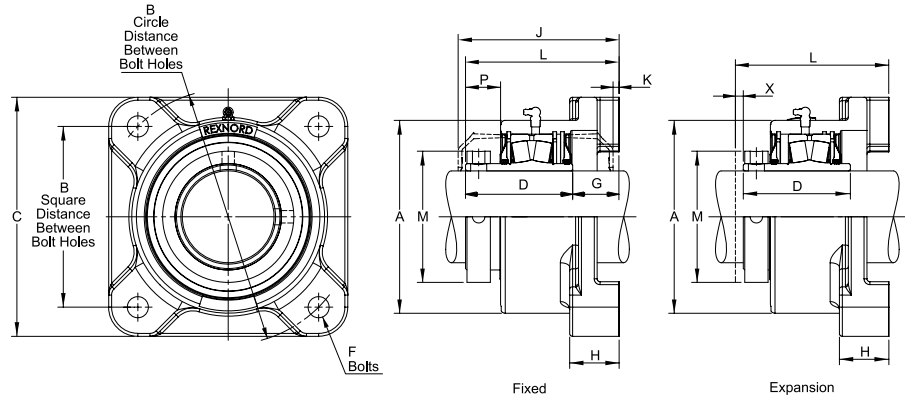
- Please call 1-866-REXNORD for availability
- Lubrication fitting tap size, 1/8" PT
- Bore size = nominal shaft size +.001 in/-.000 in (**+0.03 mm/-0.00 mm**)
- Open and Closed End Caps available on all shaft sizes
- For Selection Guide, Load Ratings and Speed Limits see Rexnord PT Select Series Engineering section on pages 194 - 197.
- Note: Dimensions subject to change. Certified dimensions of ordered material furnished on request.

EFB



Product Features

- Type E Interchange
- Corrosion-resistant powder coating
- Cast iron housing
- Misalignment capabilities - total of 2°
- Triple lip seal standard; optional clearance seal
- Factory lubricated
- 90° grease fitting standard; straight fitting provided in box



Bearing Dimensions

Size Code	Shaft Diameter	Mounting		A	B Distance Between Bolt Holes		C	D	F Bolts	G	H	J	K	L Mounting Surface to Collar Face	M	P	X	Approx. Weight
		Fixed	Expansion		Square	Circle												
		Part Number	Part Number															
4	1-7/16	EFB-107-T	EFB-107-TE	3.81	3.50	4.95	4.62	2.71	1/2	0.53	1.06	3.50	0.69	3.24	2.30	1.00	0.23	5.24
5	1-11/16	EFB-111-T	EFB-111-TE	4.00	4.12	5.83	5.37	2.76	1/2	0.72	1.19	3.75	0.46	3.48	2.58	1.00	0.22	6.83
6	1-15/16	EFB-115-T	EFB-115-TE	4.25	4.38	6.19	5.62	2.84	1/2	0.78	1.18	3.89	0.55	3.62	2.88	1.09	0.26	7.86
7	2-3/16	EFB-203-T	EFB-203-TE	4.60	4.87	6.89	6.25	2.99	5/8	0.93	1.38	4.20	0.46	3.93	3.25	1.15	0.26	9.75
8	2-7/16	EFB-207-T	EFB-207-TE	5.63	5.37	7.60	6.87	3.55	5/8	0.98	1.50	4.80	0.59	4.53	3.55	1.29	0.34	15.07
	2-1/2	EFB-208-T	EFB-208-TE															
9	2-11/16	EFB-211-T	EFB-211-TE	6.10	6.00	8.49	7.75	3.65	3/4	1.09	1.61	5.01	0.48	4.74	4.04	1.33	0.34	20.74
	2-15/16	EFB-215-T	EFB-215-TE															
10	3-7/16	EFB-307-T	EFB-307-TE	7.48	7.00	9.90	9.25	4.12	3/4	1.24	1.87	5.64	0.34	5.36	4.90	1.40	0.34	30.98
	3-1/2	EFB-308-T	EFB-308-TE															
11	3-15/16	EFB-315-T	EFB-315-TE	8.22	7.75	10.96	10.25	4.64	7/8	1.99	2.12	6.70	0.23	6.63	5.63	1.61	0.34	43.90

Additional Notes

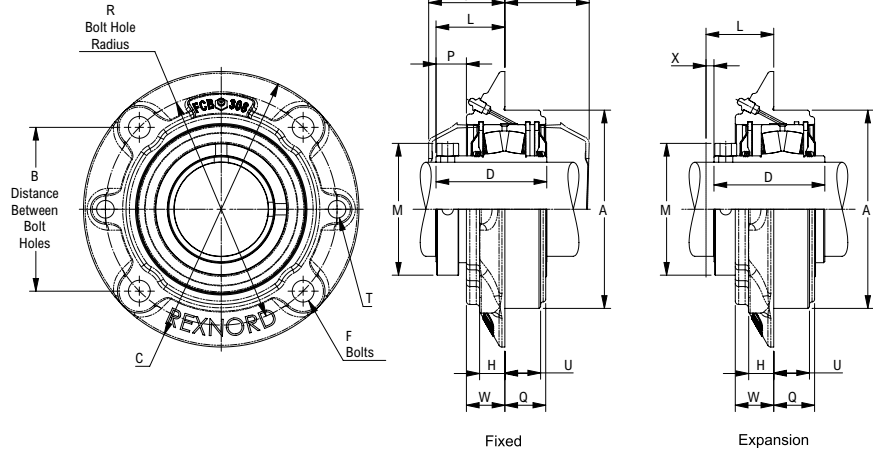
- Please call 1-866-REXNORD for availability
- Lubrication fitting tap size, 1/8" PT
- Bore size = nominal shaft size +.001 in/-.000 in (**+0.03 mm/-0.00 mm**)
- Open and Closed End Caps available on all shaft sizes
- For Selection Guide, Load Ratings and Speed Limits see Rexnord PT Select Series Engineering section on pages 194 - 197.
- Note: Dimensions subject to change. Certified dimensions of ordered material furnished on request.



Product Features

- Type E Interchange
- Corrosion-resistant powder coating
- Cast iron housing
- Misalignment capabilities - total of 2°
- Triple lip seal standard; optional clearance seal
- Factory lubricated
- Straight grease fitting standard

Reminder: Size 12 Has 6 Mounting Bolts!



Bearing Dimensions

Size Code	Shaft Diameter	Fixed	Expansion	A Pilot Diameter	B Distance Between Bolt Holes	C	D	F Bolts	H	J	K	L Mounting Surface to Collar Face	M	P	Q	R Bolt Circle Radius	T	U	W	X	Approx. Weight
		Part Number	Part Number																		
4-Bolt																					
4	1-7/16	FC-107-T	FC-107-TE	3.63	3.10	5.25	2.71	3/8	0.50	1.76	2.44	1.49	2.30	0.99	1.19	2.19	3/8-16	0.75	0.50	0.22	4.19
5	1-11/16	FC-111-T	FC-111-TE	4.25	3.62	6.13	2.76	7/16	0.50	1.79	2.43	1.52	2.58	0.91	1.25	2.56	7/16-14	0.88	0.61	0.23	6.15
6	1-15/16	FC-115-T	FC-115-TE	4.50	3.80	6.38	2.84	7/16	0.56	1.86	2.58	1.59	2.88	1.03	1.23	2.69	7/16-14	0.88	0.56	0.26	6.79
7	2-3/16	FC-203-T	FC-203-TE	5.00	4.24	7.13	2.99	1/2	0.56	1.88	2.78	1.61	3.25	0.95	1.42	3.00	1/2-13	1.00	0.66	0.26	9.16
8	2-7/16	FC-207-T	FC-207-TE	5.50	4.60	7.63	3.55	1/2	0.63	2.26	3.13	1.99	3.55	1.23	1.56	3.25	1/2-13	1.00	0.76	0.34	11.51
	2-1/2	FC-208-T	FC-208-TE																		
9	2-11/16	FC-211-T	FC-211-TE	6.38	5.30	8.75	3.65	5/8	0.75	2.36	3.13	2.09	4.04	1.09	1.63	3.75	5/8-11	1.25	1.00	0.34	17.69
	2-15/16	FC-215-T	FC-215-TE																		
10	3-7/16	FC-307-T	FC-307-TE	7.38	6.10	10.25	4.12	3/4	0.94	2.84	3.14	2.56	4.90	1.13	1.52	4.31	3/4-10	1.27	1.43	0.34	26.19
	3-1/2	FC-308-T	FC-308-TE																		
11	3-15/16	FC-315-T	FC-315-TE	8.13	6.63	10.88	4.64	3/4	1.13	3.19	3.51	2.89	5.63	1.46	1.75	4.69	3/4-10	1.47	1.43	0.34	33.50
6-Bolt																					
12	4-7/16	FC-407-T	FC-407-TE	10.25	5.88	13.58	5.14	3/4	1.00	3.58	3.54	3.28	6.19	1.39	1.85	5.88	3/4-10	1.45	1.89	0.34	57.64

Additional Notes

- Please call 1-866-REXNORD for availability
- Lubrication fitting tap size, 1/8" PT
- Bore size = nominal shaft size +.001 in/-.000 in (**+0.03 mm/-0.00 mm**)
- Pilot diameter tolerance, +.000 in/-.002 in (**+0.00 mm/-0.05 mm**)
- Bore tolerance for mounting, +.002 in/-.000 in (**+0.05 mm/-0.00 mm**)
- Open and Closed End Caps available on all shaft sizes
- For Selection Guide, Load Ratings and Speed Limits see Rexnord PT Select Series Engineering section on pages 194 - 197.
- Note: Dimensions subject to change. Certified dimensions of ordered material furnished on request.



866-REXNORD/866-739-6673 (Within the US)
414-643-2366 (Outside the US)
www.rexnord.com

Why Choose Rexnord?

When it comes to providing highly engineered products that improve productivity and efficiency for industrial applications worldwide, Rexnord is the most reliable in the industry. Commitment to customer satisfaction and superior value extend across every business function.

Delivering Lowest Total Cost of Ownership

The highest quality products are designed to help prevent equipment downtime and increase productivity and dependable operation.

Valuable Expertise

An extensive product offering is accompanied by global sales specialists, customer service and maintenance support teams, available anytime.

Solutions to Enhance Ease of Doing Business

Commitment to operational excellence ensures the right products at the right place at the right time.

REXNORD

Rexnord Company Overview

Rexnord is a growth-oriented, multi-platform industrial company with leading market shares and highly trusted brands that serve a diverse array of global end markets.

Process & Motion Control

The Rexnord Process & Motion Control platform designs, manufactures, markets and services specified, highly engineered mechanical components used within complex systems where our customers' reliability requirements and the cost of failure or downtime are extremely high.

Water Management

The Rexnord Water Management platform designs, procures, manufactures and markets products that provide and enhance water quality, safety, flow control and conservation.