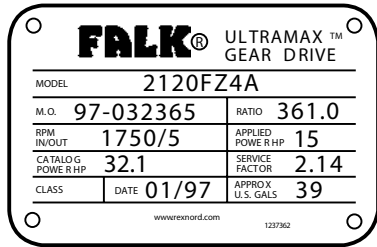


Introduction

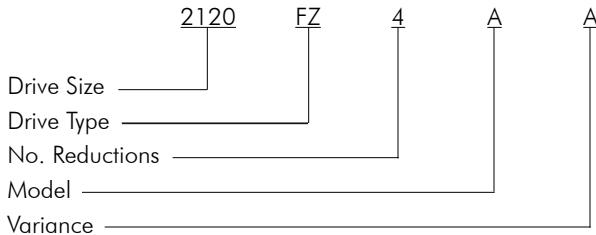
This parts guide is designed to assist in ordering replacements parts for standard double reduction gear drives. Consult Factory for special or modified drives.

- IDENTIFY DRIVE** — Record Drive Model, Ratio and M.O. Number from nameplate.

Sample Nameplate



Gear Drive Identification



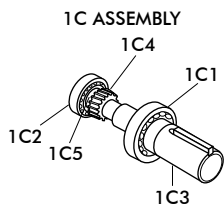
Variance Definitions:

Blank = Standard Drive

A = Drive equipped With Backstop

S = Special — Refer to Falk

- IDENTIFY INDIVIDUAL PARTS** — Use exploded view on Page 2 to determine Ref. No. of required parts.



Ref. No.	Part Description
1C1	Bearing
1C2	Bearing
1C3	Shaft
1C4	Pinion
1C5	Spacer

NOTE: Replace seals, shims, and gaskets whenever reassembling a drive. Shim-gaskets and fasteners are available only in kits as shown below.

SHIMS & GASKETS — See Kit Ref. No. 100

FASTENERS — See Kit Ref. No. 130

Corrosion Protection and Storage

CAUTION: Follow guidelines below to avoid damage to parts.

- For domestic or indoor storage, Factory provides standard 24 month protection as boxed or optional 24 month

protection for individual parts.

- For export or outdoor storage, Factory provides optional 18 month protection.

CAUTION: This protection does not cover exposure to elements such as standing water, etc.

Ref. No.	Part Description
14	Seal
15	Seal
20	Dipstick
21	Seal Cage (Replace with Ref 121)
22	Seal Cage (Replace with Ref 122)
27	Shaft Cover (Replace with Ref 127)
28	Shaft Cover (Replace with Ref 128)
29	Shaft Cover (Replace with Ref 129)
32	Shaft Cover (Replace with Ref 132)(Sizes 2060-2090)
33	Backstop Cage (Sizes 2060-2090)
34	Backstop (Sizes 2060-2090)
41	Spacer
53	Thrustplate (Sizes 2090-2130)
100	Shim-Gasket Kit (Incls Ref 87, 89, 91, 94, 97, 98)
102	Housing Assembly (Incls Ref 112, 113, 100, 130)
110	Head
119	Yoke (Sizes 2100-2130)
120	Backstop Assembly (Incls Ref 32, 33, 34, 68, 91)(Sizes 2100-2130)
121	Seal Cage Assembly (Incls Ref 14, 21, 87)
122	Seal Cage Assembly (Incls Ref 15, 22, 89)
127	Shaft Cover Kit (Incls Ref 27, 97)
128	Shaft Cover Kit (Incls Ref 28, 98)
129	Shaft Cover Kit (Incls Ref 29, 91)
130	Fastener Kit (Incls Ref 59, 60, 64, 65, 66, 68, 73, 74)
132	Shaft Cover Kit (Incls Ref 32, 91)
1C	Shaft Assembly — Incls Ref 1C1 thru 1C5
1C1	Bearing
1C2	Bearing
1C3	Shaft
1C4	Pinion
1C5	Spacer (Sizes 2070-2130)
2A	Shaft Assembly — Incls Ref 2A1 thru 2A8
2A1	Bearing
2A2	Bearing
2A4	Pinion & Shaft
2A5	Spacer (Size 2060 & 2070, Not shown)
2A6	Gear
2A7	Locknut
2A8	Bushing (Sizes 2080-2090 Not shown)
3A	Shaft Assembly — Incls Ref 3A1 thru 3A7
3A1	Bearing
3A2	Bearing
3A3	Shaft
3A4	Pinion
3A5	Spacer (Sizes 2060, 2120 & 2130)
3A6	Gear
3A7	Locknut
4A	Shaft Assembly — Incls Ref 4A1 thru 4A7
4A1	Bearing
4A2	Bearing
4A4	Pinion & Shaft (Incls Ref 4A7)
4A5	Spacer(Sizes 2100-2130)
4A6	Gear
4A7	Locknut
5A	Shaft Assembly — Incls Ref 5A1 thru 5A6
5A1	Bearing
5A2	Bearing
5A3	Shaft
5A6	Gear

Parts Diagram

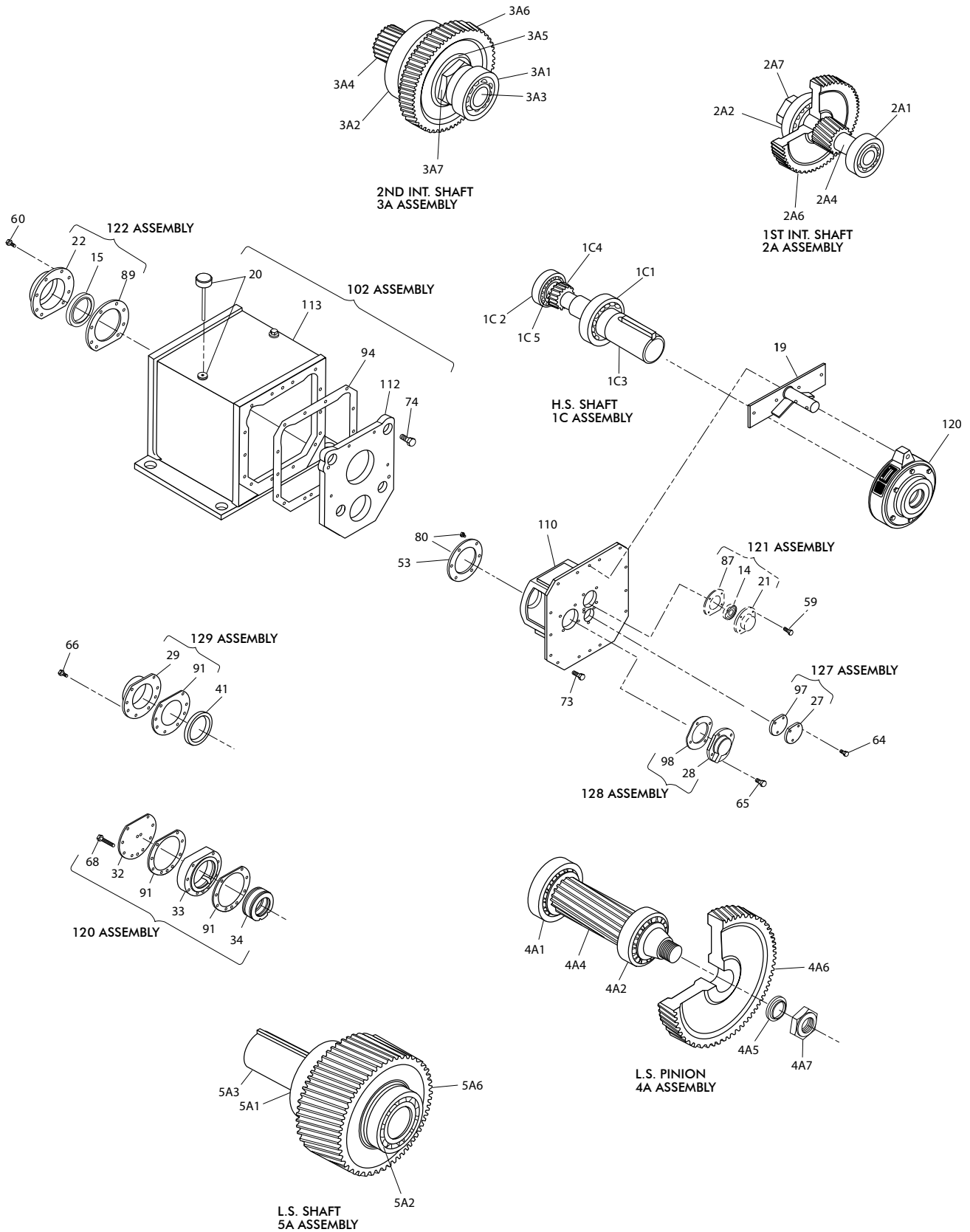


TABLE 1 — 1A Shaft Assembly ★

Ratio	Drive Size								Ratio	
	2060	2070	2080	2090	2100	2110	2120	2130		
192.9										192.9
239.6	1C1, 1C3		1C1, 1C3			1C3, 1C4	1C3, 1C4			239.6
296.3	1C4	1C1, 1C3	1C4	1C1, 1C3				1C3, 1C4		296.3
363.2		1C4		1C4						363.2
449.4										449.4
543										543
649.5										649.5
795.9										795.9
965.5										965.5

★ Individual components for Drive Sizes and Ratios shown in the SCREENED areas may be ordered separately. High interference fit components which must be assembled at the Factory are identified in Table 1.

TABLE 2 — Bearing/Falk Part Number

DRIVE SIZE	Reference Number									
	1C1	1C2	2A1	2A2	3A1	3A2	4A1	4A2	5A1	5A2
2060 ³	2916712 ¹ 2916713 ²	2916711	2916710	2916710	2916707	2916708	2916437	921300	921530	921677 ²⁰ 2929598 ²¹
2070 ⁴	2916479	2916478	2916480	2916480	921335	2916476	921795	921796	921751	921671 ²⁰ 2929282 ²¹
2080	921848	2916528	921509	2916555	921335	2916557 ⁵ 2916556 ⁶	2916560	2916560	921678	921671 ²⁰ 2929282 ²¹
2090 ⁹	921848	2916528	921509	2916555	921847	921383 ⁷ 921324 ⁸	921810	921846	921741	921681 ²⁰ 921352 ²¹
2100	921843	921844	921696	921696	921492	921530 ¹⁰ 2916776 ¹¹	921489	921764 ²⁰ 921489 ²¹	921414	921668 ²⁰ 921443 ²¹
2110	921685	921696	921696	921728	921852	921304 ¹² 921309 ¹³	921542	921667 ²⁰ 921542 ²¹	921674	921524 ²⁰ 921414 ²¹
2120	921685	921696	921342 ¹⁴ 921747 ¹⁵	921342 ¹⁴ 921747 ¹⁵	921385	921678 ¹⁶ 921314 ¹⁷	921542	921667 ²⁰ 921542 ²¹	921881	921832 ²⁰ 921748 ²¹
2130	921685	921696	921342 ¹⁸ 921747 ¹⁹	921342 921747	921385	921854	2917790	2917789 ²⁰ 2917790 ²¹	921331	921462 ²⁰ 921422 ²¹

1 Ratios 239.6-649.5.

2 Ratio 795.9 and 965.5.

3 HS outer bearing is TRAPPED† for ratios 236.7-533.7.

4 HS outer bearing is TRAPPED† for ratios 236.7-542.7.

5 Ratios 192.3-436.4 and 638.7 and 772.8.

6 Ratios 523.5 and 927.2.

7 Ratios 236.7-644.9 and 945.2.

8 Ratio 783.1.

9 HS outer bearing is TRAPPED† for ratios 236.7-533.7.

10 Ratios 202.3-437.6.

11 Ratios 518.1-1.999.9.

12 Ratios 192.9-434.9 and 791.4.

13 Ratios 531.7-653.6 and 967.6.

14 Ratios 197.7-657.2.

15 Ratios 783.6 and 961.3.

16 Ratios 197.7-535.7 and 783.6.

17 Ratios 657.2 and 961.3.

18 Ratios 199.0-643.3.

19 Ratios 782.8 and 940.9.

20 Model A or Model B.

21 Model B only.

† A bearing that is confined within an assembly either dimensionally or by a high interference component. This bearing cannot be replaced on an individual basis; it must be replaced as part of an assembly.

TABLE 3 — Bearing Manufacturer's Part Number

Falk Part Number	Manufacturer's Part Number	Falk Part Number	Manufacturer's Part Number
921304	TIM 759/752	921748	TIM 95525/95925
921309	TIM 3476/3420	921751	TIM JH217249/JH217210
921314	TIM 841/832	921764	TIM 6576/6535B
921324	TIM 841/832	921795	TIM JH307749/JH307710
921331	TIM 6580/6535	921796	TIM 59200/59412
921335	TIM 23100/23256	921810	TIM 745A/742
921342	TIM 3476/3420	921832	TIM 95525/95925B
921352	TIM 6580/6535	921843	TIM LM104949/JLM104910
921383	TIM 639/632	921844	TIM 1775/1729
921385	TIM 6277/6220	921846	TIM H414242/H414210
921414	TIM 938/932	921847	TIM 3878/3820
921443	TIM HH221449/HH221410	921848	TIM 15126/15245
921462	TIM 99550/99100B	921852	TIM HM807035/HM807010
921489	TIM 6576C/6535	921854	TIM HH221442/HH221410
921492	TIM HM807040/HM807010	921881	TIM 99575/99100
921509	TIM 12580/12520	2916476	TIM 440/432B
921524	TIM 938/932B	2916478	TIM A4059/A4138B
921530	TIM H414249/H414210	2916479	TIM 15113/15245
921542	TIM HH221434/HH221410	2916480	TIM 17580/17520
921667	TIM HH221434/HH221410B	2916528	TIM 05062/05185B
921668	TIM HH221449/HH221410B	2916555	TIM 15590/15520
921671	TIM H715345/H715310B	2916556	TIM 461/453B
921674	TIM 95528/95925	2916557	TIM 467/453B
921678	TIM 850/832	2916560 *	TIM NP747110/NP520308
921681	TIM 6580/6535B	2916776	TIM H414245/H414210
921685	TIM 33895/33821	2917789 *	TIM NP076564/NP669820
921696	TIM 2684/2631	2917790 *	TIM NP076564/NP315658
921728	TIM 3189/3120	2929282	TIM H715345/H715310
921741	TIM HH221449A/HH221410	2929598	TIM 641/632
921747	TIM 3474/3420		

* Prefix "NP" must be Timken P900 roller bearing.

TABLE 4 — Oil Seals/Falk Part Number

DRIVE SIZE	Reference Number	Falk Part Number Standard Nitrile Seal	Falk Part Number Optional Viton® Seal
2060	14	912746	2902929
	15	912757	2918300
2070	14	912746	2902929
	15	2917422	2916716
2080	14	912849	2911649
	15	2916559	2900967
2090	14	912849	2911649
	15	912850	2918301
2100	14	2916440	2916439
	15	2916787	2918302
2110	14	2917239	2917240
	15	2917233	2917234
2120	14	2916995	2918287
	15	2916994	2918303
2130	14	2916995	2918287
	15	912765	2902643

TABLE 5 — Seal Manufacturer's Part Number

Falk Number	Manufacturer's Number	Shaft Dia	Outside Dia	Width
912746	CR 13650	1.375	2.129	.312
912757	NAT L417316	2.750	3.756	.375
912765	CR 64993	6.500	7.500	.500
912849	CR 16062	1.625	2.256	.375
912850	CR 40077	4.000	5.631	.375
913031	CR WH127365(V)	2.750	3.750	.438
2900967	CR 34883	3.500	4.506	.375
2902643	CR 64998	6.500	7.500	.500
2902929	CR WAI-13661	1.375	2.125	.313
2911649	CR WI-16078	1.625	2.254	.313
2916439	CR WI-19839	2.000	2.750	.313
2916440	CR WAI-19832	2.000	2.750	.313
2916559	CR WAI-34887	3.500	4.505	.375
2916716	CR WAI-32392	3.250	4.254	.375
2916787	CR WAI-44960	4.500	5.506	.375
2916994	CR WHAI-57531	5.750	7.006	.500
2916995	CR WAI-21164	2.125	3.005	.375
2917233	CR 51252DLDC	5.125	6.256	.500
2917234	CR 51253DLSC	5.125	6.256	.500
2917239	CR 19993DLSC	2.000	3.005	.313
2917240	CR 19995DLSC	2.000	3.005	.313
2917422	CR WAI-32395	3.250	4.254	.375
2918287	CR WHAI-21167	2.125	3.005	.313
2918301	JM 04-00-60003 H5-L16	4.000	5.631	.375
2918302	CR W44973	4.500	5.506	.438
2918303	CR 57523	5.750	7.006	.562