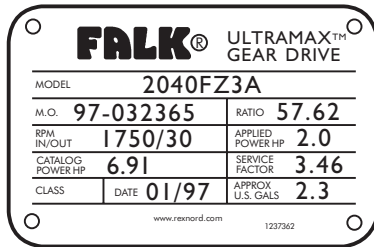


Introduction

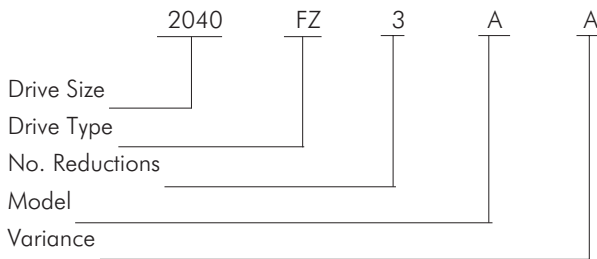
This parts guide is designed to assist in ordering replacements parts for standard triple reduction gear drives. Consult Factory for special or modified drives.

1. IDENTIFY DRIVE — Record Drive Model, Ratio and M.O. Number from nameplate.

Sample Nameplate



Gear Drive Identification



Variance Definitions:

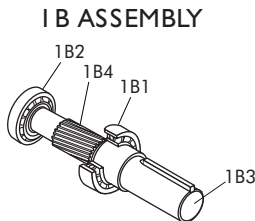
Blank = Standard Drive

A = Drive equipped With Backstop

S = Special — Refer to Factory

2. IDENTIFY INDIVIDUAL PARTS — Use exploded view on Page 2 to determine Ref. No. of required parts.

NOTE: Replace seals, shims, and gaskets whenever reassembling a drive. Shim-gaskets and fasteners are available only in kits as shown below.



Ref. No.	Part Description
1B1	Bearing
1B2	Bearing
1B3	Shaft
1B4	Pinion

SHIMS & GASKETS — See Kit Ref. No. 100
 FASTENERS — See Kit Ref. No. 130

Corrosion Protection and Storage

CAUTION: Follow guidelines below to avoid damage to parts.

- For domestic or indoor storage, Factory provides standard 24 month protection as boxed or optional 24 month protection for individual parts.
- For export or outdoor storage, Factory provides optional 18 month protection.

CAUTION: This protection does not cover exposure to elements such as standing water, etc.

Ref. No.	Part Description
14	Seal
15	Seal
20	Dipstick
21	Seal Cage (Replace with Ref 121)
22	Seal Cage (Replace with Ref 122)
28	Shaft Cover
29	Shaft Cover (Replace with Ref 129)
32	Shaft Cover (Replace with Ref 132)
33	Backstop Cage
34	Backstop
41	Spacer
100	Shim-Gasket Kit (Incls Ref 87, 89, 91, 94)
101	Housing Assembly (Incls Ref 110, 113, 114, 100, 130, 20)
120	Backstop Assembly (Incls Ref 32, 33, 34, 68, 91)
121	Seal Cage Assembly (Incls Ref 14, 21, 87)
122	Seal Cage Assembly (Incls Ref 15, 22, 89)
129	Shaft Cover Kit (Incls Ref 29, 91)
130	Fastener Kit (Incls Ref 59, 60, 66, 68, 73)
132	Shaft Cover Kit (Incls Ref 32, 91)
1B	Shaft Assembly — Incls Ref 1B1 thru 1B4
1B1	Bearing
1B2	Bearing
1B3	Shaft
1B4	Pinion
3A	Shaft Assembly — Incls Ref 3A1 thru 3A7 *
3A1	Bearing
3A2	Bearing
3A3	Shaft
3A4	Pinion
3A6	Gear
4A	Shaft Assembly — Incls Ref 4A1 thru 4A7
4A1	Bearing
4A2	Bearing
4A4	Pinion & Shaft (Incls Ref 4A7)
4A6	Gear
4A7	Locknut
5A	Shaft Assembly — Incls Ref 5A1 thru 5A6
5A1	Bearing
5A2	Bearing
5A3	Shaft
5A6	Gear

* Intermediate Pinion 3A4 and Intermediate Shaft 3A3 for ratios 71.03-106.8 MUST be ordered as an assembly.

Parts Diagram

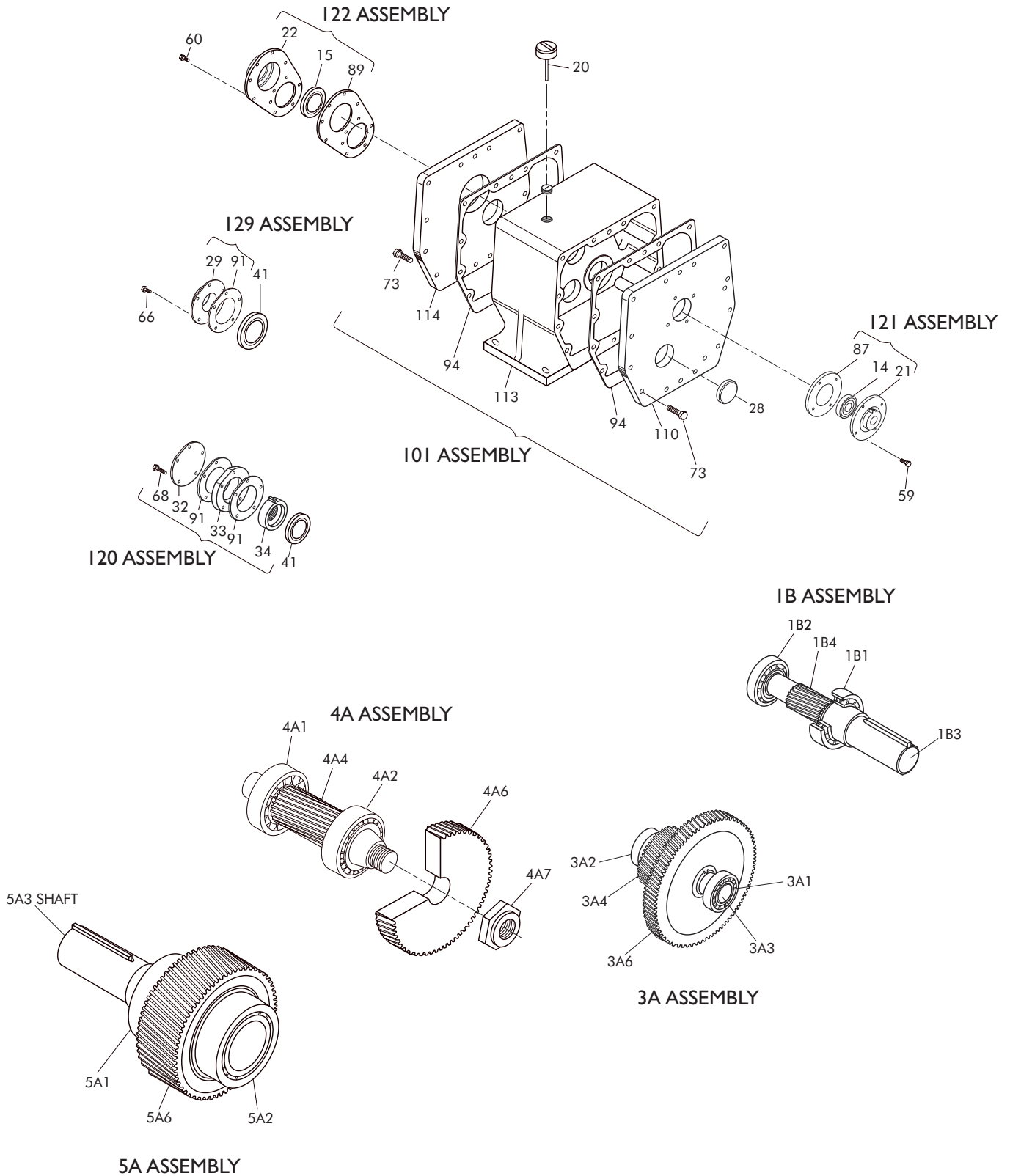


TABLE 1— Bearings/Falk Part Number

DRIVE SIZE	Reference Number							
	1B1	1B2	3A1	3A2	4A1	4A2	5A1	5A2
2040	2916267	2916264	2916266	921844	2916271	2916271	921761	921761
2050	2916293	2916289	921322	2916291	2916263	2916288	921745	921745

TABLE 2 — Bearing Manufacturer's Part Number

Falk Part Number	Manufacturer's Part Number
921322	TIM14130/14276
921745	TIM39590/39520
921761	TIMJM207049/JM207010
921844	TIM1775/1729
2916263	TIM418/414
2916264	TIM1775/1729B
2916266	TIM15101/15244
2916267	TIM14137A/14276
2916271	TIM25880/25821
2916289	TIM02473/02420B
2916291	TIM1986/1932
2916293	TIM336/332

TABLE 3 — Oil Seals/Falk Part Number

DRIVE SIZE	Reference Number	Falk Part Number	
		Standard Nitrile Seal	Optional Viton® Seal
2040	14	2916414	2916415
	15	912775	2916797
2050	14	2916298	2916299
	15	2916297	2916413

TABLE 4 — Manufacturer's Part Number

Falk Part Number	Manufacturer's Part Number	Shaft Diameter	Outside Diameter	Width
912775	NATL470898	2.125	2.879	.375
2916297	CRWAI-26238	2.625	3.628	.375
2916298	CRWAI-16246	1.625	2.506	.313
2916299	CRWAI-16243	1.625	2.506	.313
2916413	CR26204	2.625	3.628	.375
2916414	CRWAI-13569	1.375	2.004	.313
2916415	CRWAI-13581	1.375	2.004	.313
2916797	CRSAI-21091	2.125	2.879	.438